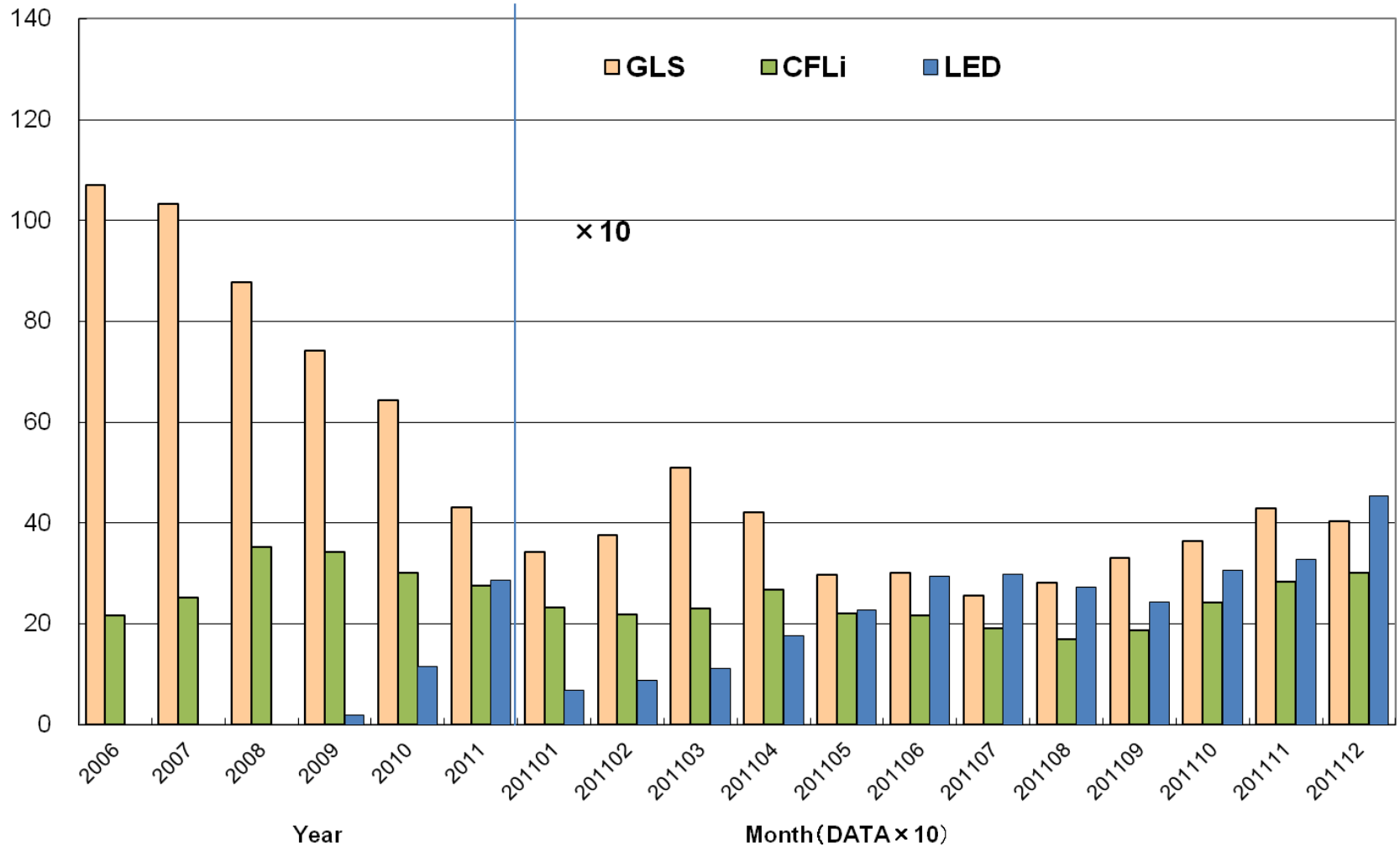

Recent Topics in Japan

March 12, 2012

JELMA

Million

Shipping Quantity of CFLi, LED and GLS



JELMA's standards and guidelines

No.	Title	Publish
JEL800	Specific markings of Self-ballasted LED lamps	07/2010
JEL801	L-shape pin base tubular LED lamp system- safety and performance requirement	12/2010
JEL907	Lamp caps and holders together with gauges	12/2010
Guide 008	Guideline for performance identification of Self-ballasted LED lamps	03/2011
TR	Guide for applying LED lamps and luminaires	06/2010

(NEW)

JEL802	Hollow-shape pin base tubular LED lamp system- safety and performance requirement	03/2012
--------	---	---------



DC power supply side

Fig.1 **JEL801**: Tubular LED lamp system with L type cap (GX16t-5)

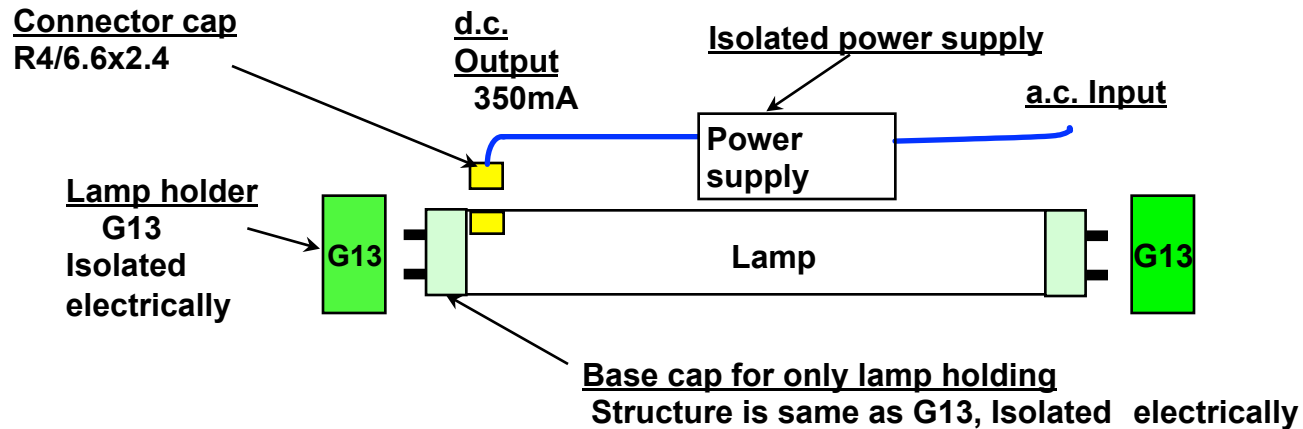


Fig.2 **JEL 802**: Tubular LED lamp system with connector cap (R4/6.6X2.4)